

UK Technical Data 02

AS - * Enclosed**

Switch-disconnector

Rating AC22A 20 A < 630A 415V AC



Function

Enclosed switch-disconnector available as 3 switched poles + neutral link (unswitched) or 3 pole + switched neutral pole (early make / late break) for main incoming distribution supplies and branch feeder circuits. Regulation 537.1.1 Note 1 Table 537.4 (3) Suitable for on-load switching and electrical isolation in TN-C-S and TN-S systems meeting the requirements of Regulation 461.2. (4 pole for TT systems).

Features

Steel IP65 enclosure for indoor installation, gland plates top and bottom, padlockable door interlocked handle. 3 pole switches include 3 x incoming terminal shrouds, Solid N link with 2 x terminal shrouds. 4 pole switches include 4 x incoming terminal shrouds. If required, additional terminal shrouds can be ordered for outgoing terminals.

Mounting

Wall mounting in the vertical plane, cable entry top and bottom, to allow for correct cabling i.e. minimum cable bend radii

Applications

Rated AC 22A for on-load switching of general distribution circuits. For switching AC23 loads refer to additional ratings given in the data sheet. These switches are rated for use with 70°C copper cables in ambients up to 35°C.

Notes

Switches are supplied complete with incoming terminal shrouds. Additional shrouds can be ordered as required please refer to the accessories page. Enclosures should be locked at all times - Access only by suitably instructed personnel trained to work on or near live equipment wearing the appropriate PPE.

Accessories

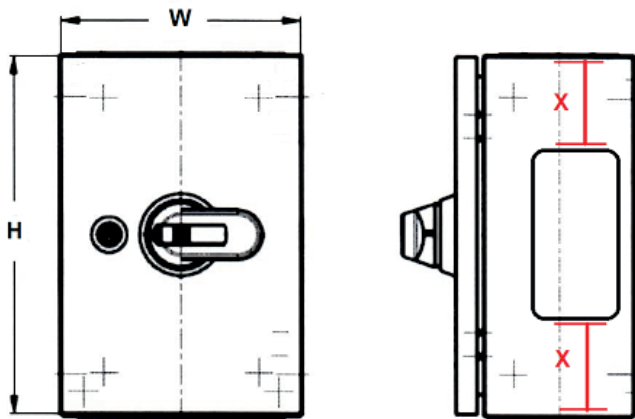
AX- spreader enclosures, Auxiliary switches, Terminal shrouds.

Technical Data

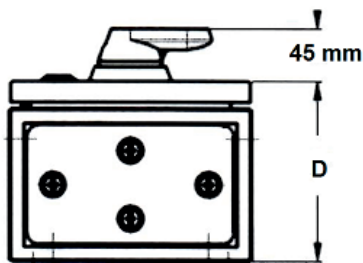
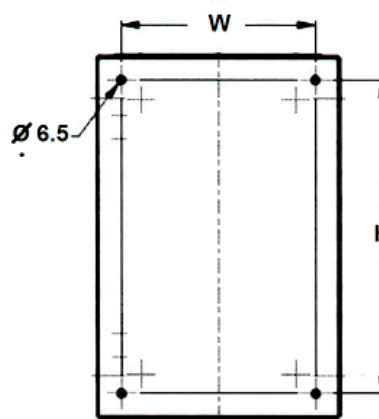
Technical Data	AS- *** switch									
AS - *** References	020	032	063	100	160	200	250	400	630	
AC22A rating in Amps	20	32	63	100	160	200	250	400	630	
AC23A rating in Amps	20	23	63	80	135	200	250	400	630	
Min. Cable CSA @ 35 °C in mm ²	4	6	16	35	70	95	120	240	2 x 185	
Max. Cable CSA in mm ²	10	10	35	70	Width of lug <20 mm / M8			<25 mm	<39 mm	
Cable fixing (clamp or bolt)	clamp	clamp	clamp	clamp	M8x25	M8x25	M8x25	M10x30	M12x40	
Tightening torque Nm	0.8	0.8	2	6	15 - 22	15 - 22	15 - 22	30 - 44	50 - 75	
Max. Upstream FL gG / 50 kA 415V	20A	32A	63A	100A	160A	200A	250A	400A	630A	
Fuse link maximum I peak in kA	6.5	6.5	13	16.5	24	35	35	50.5	71.5	
Rated voltage (AC)	415 V									
Rated frequency (AC)	50 Hz/60 Hz									
Design requirements/Standards	EN 60947-3									

Technical Data		AS- *** Enclosure					
IP Rating for internal installation	IP 65						
Enclosure material	Powder coated Steel						
Mounting	Enclosure size			Wall fixing centers (fixing holes 6.5 mm)			
Dimensions in mm	H	W	D	X	H	W	Wgt. kg
20A	305	205	150	116	263	163	< 5
32A	305	205	150	116	263	163	< 5
63A	305	305	150	104	263	263	< 6
100A	405	305	150	150	363	263	< 8
160A	505	405	250	175	463	363	< 15
200A	505	405	250	175	463	363	< 15
250A	505	405	250	175	463	363	< 15
400A	505	405	250	158	463	363	< 16
630A	605	405	250	175	563	363	< 21

Dimensions

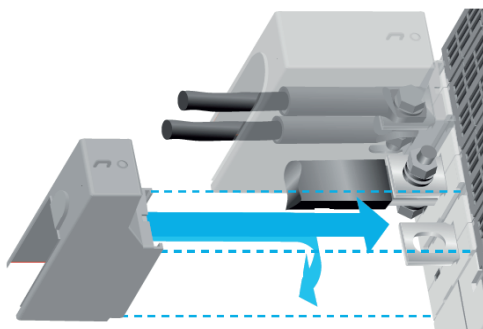


Fixing



AS Rating 3 P. shrouds 4 P. shrouds

160A	OTS250G1S/3	OTS250G1S/4
200A	OTS250G1S/3	OTS250G1S/4
250A	OTS250G1S/3	OTS250G1S/4
400A	OTS400G1S/3	OTS400G1S/4
630A	OTS800G1S/3	OTS800G1S/4



Installing auxiliary contact OA1G10 (1 N/O)
 AS- 160 to AS- 630
 AS- 020 to AS- 100
 Maximum of 2 auxiliary blocks per switch

1 N/O Test contact

0 1 0 Test 0

Main contact

Test contact (NO)

max 2